
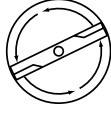


| | | |
|---|---|----------|
| SERVICE  |  | 3 |
| | | I0300004 |

IPL, LT12, 2003-01, 106 29 68-61

JLT12F

LT12

Spare parts

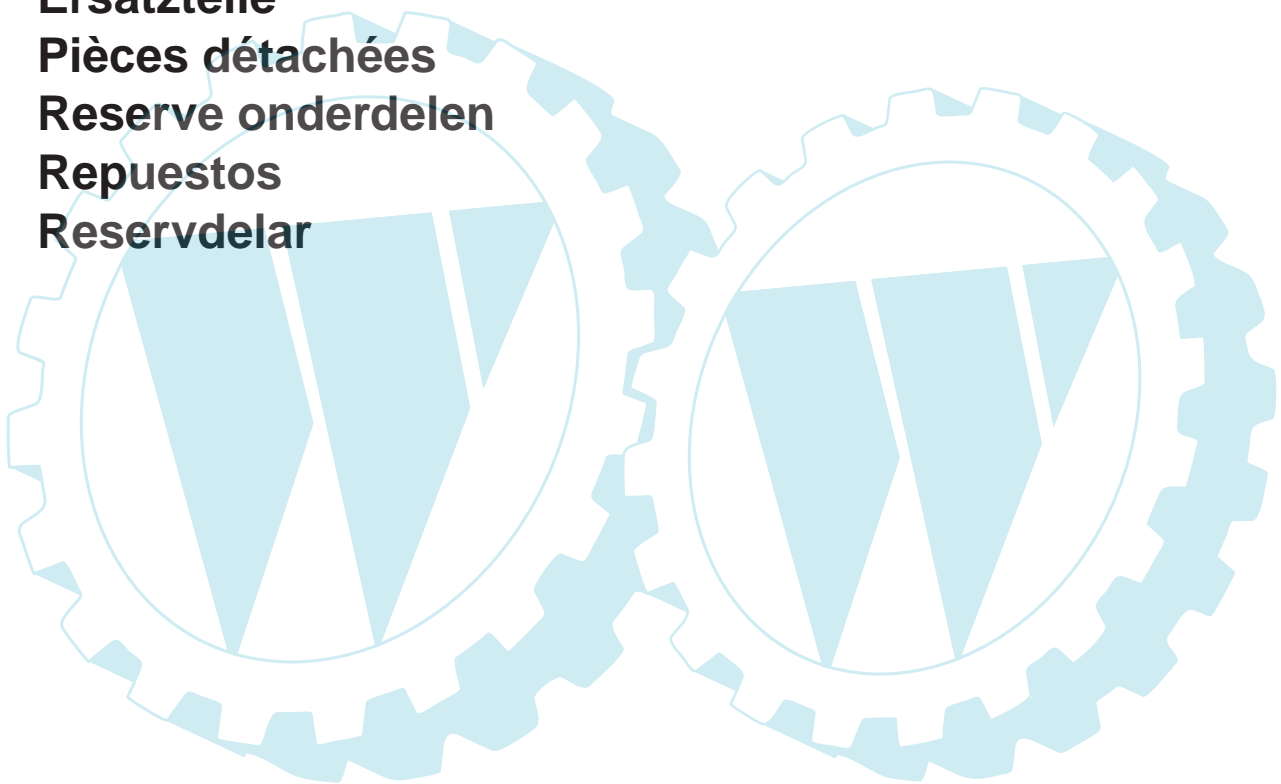
Ersatzteile

Pièces détachées

Reserve onderdelen

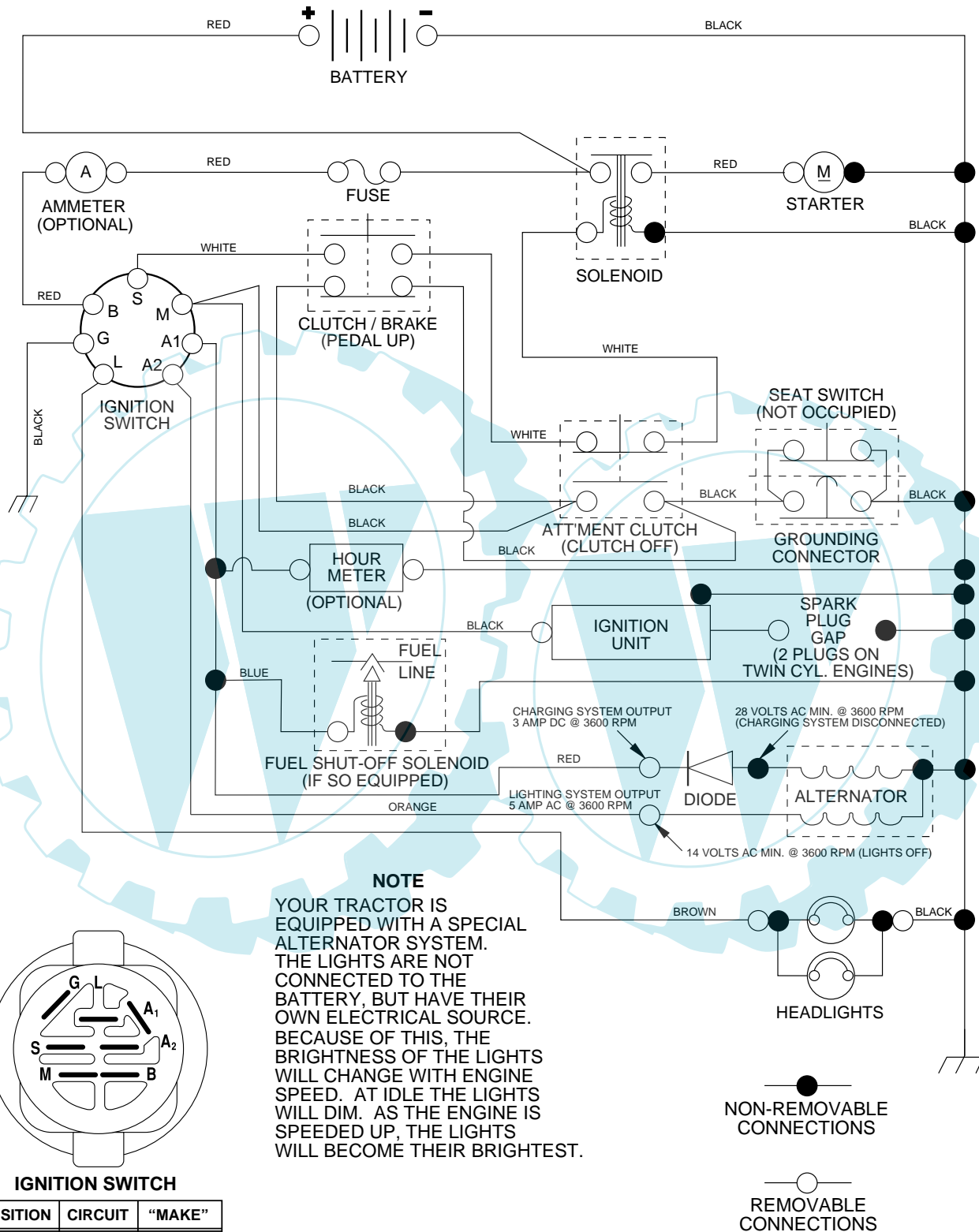
Repuestos

Reservdelar



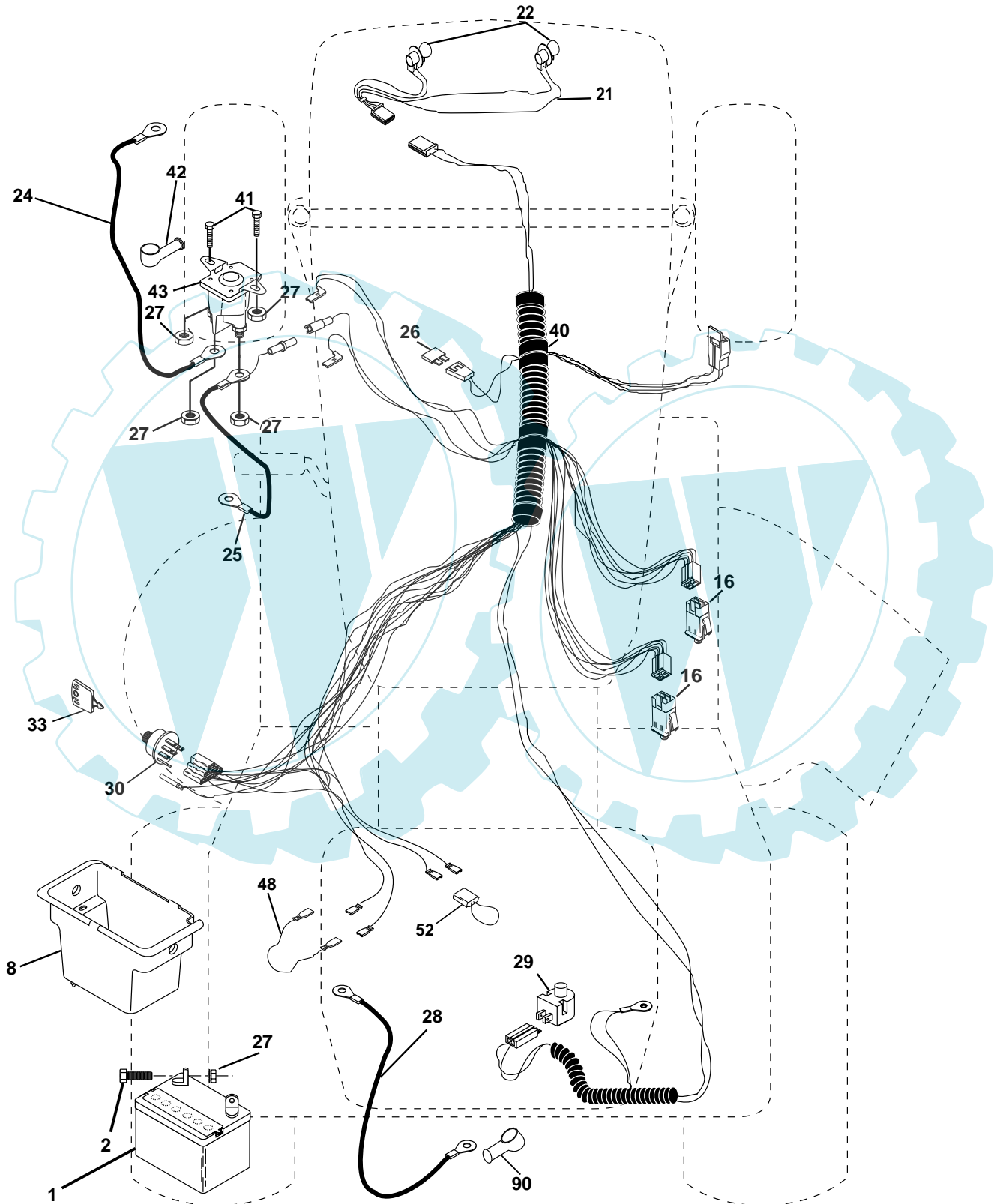
REPAIR PARTS

TRACTOR - MODEL NO. LT12 (JLT12F), PRODUCT NO. 954 13 00-72 SCHEMATIC



REPAIR PARTS

TRACTOR - MODEL NO. LT12 (JLT12F), PRODUCT NO. 954 13 00-72
ELECTRICAL



REPAIR PARTS

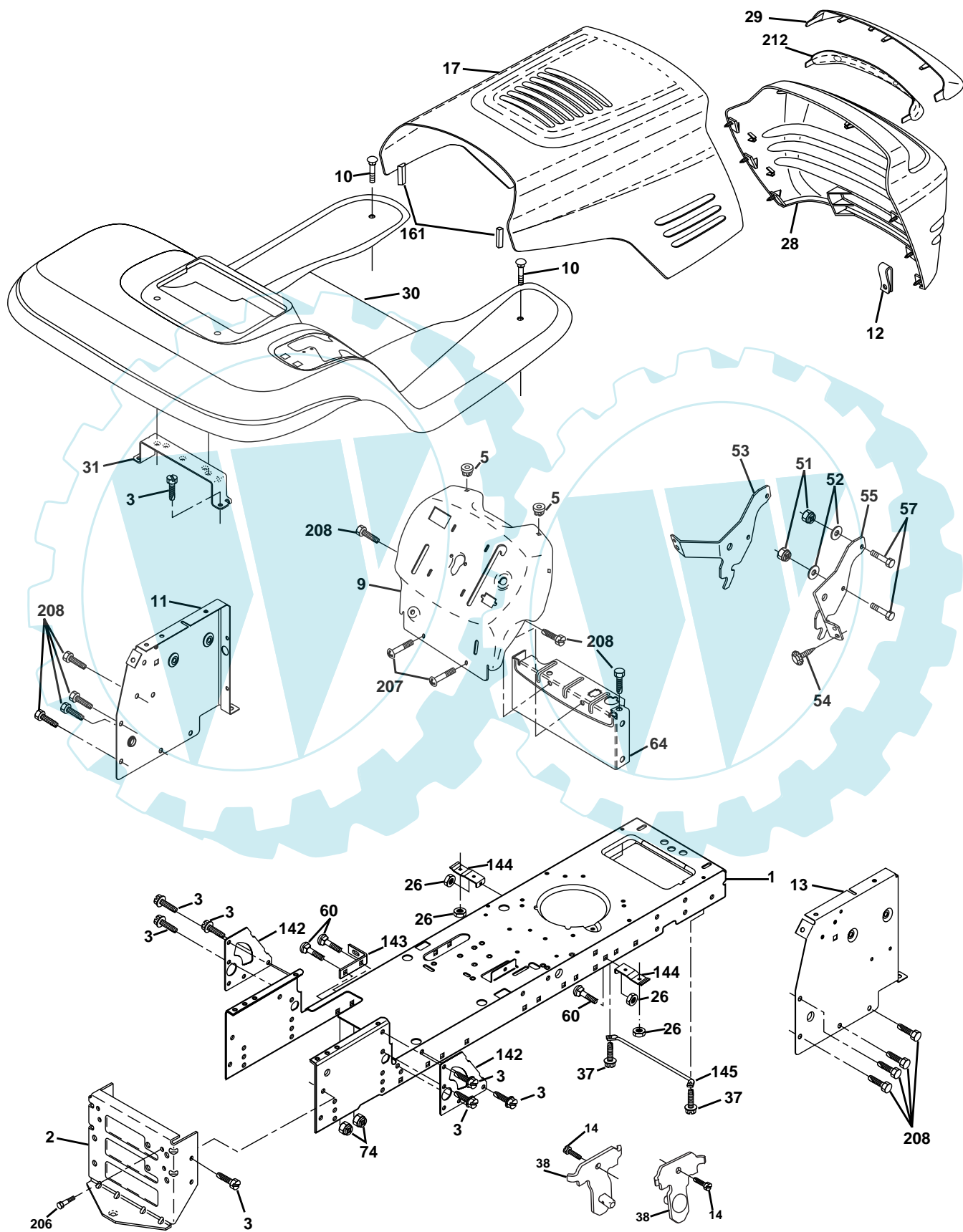
TRACTOR - MODEL NO. LT12 (JLT12F), PRODUCT NO. 954 13 00-72
ELECTRICAL

| KEY NO. | PART NO. | DESCRIPTION |
|---------|--------------|--------------------------------------|
| 1 | 532 16 34-65 | Battery |
| 2 | 874 76 04-12 | Bolt Hex Hd 1/4-20unc X 3/4 |
| 8 | 532 17 66-89 | Box Battery |
| 16 | 532 17 61-38 | Switch Interlock |
| 21 | 532 17 56-88 | Harness Asm Light W/4152j |
| 22 | 532 00 41-52 | Bulb Light #1156 |
| 24 | 532 12 47-80 | Cable Battery 6 Ga 11" red |
| 25 | 532 14 61-47 | Cable Battery 6 Ga 44" red w/16 wire |
| 26 | 532 17 51-58 | Fuse 20 AMP |
| 27 | 873 51 04-00 | Nut Keps Hex 1/4-20 Unc |
| 28 | 532 12 47-73 | Cable Ground 6 Ga 12" black |
| 29 | 532 12 13-05 | Switch Plunger Nc Gray |
| 30 | 532 17 55-66 | Switch Ign |
| 33 | 532 14 04-01 | Key Ign |
| 40 | 532 17 97-20 | Harness Ign. |
| 41 | 871 11 04-08 | Bolt Blk Fin Hex 1/4 - 20 x 1/2 |
| 42 | 532 13 15-63 | Cover Terminal Red |
| 43 | 532 17 88-61 | Solenoid |
| 48 | 532 14 08-44 | Adapter Ammeter |
| 52 | 532 14 19-40 | Protection Wire Loop |
| 90 | 532 18 04-49 | Cover Terminal Battery |

NOTE: All component dimensions given in U.S. inches.
1 inch = 25.4 mm.

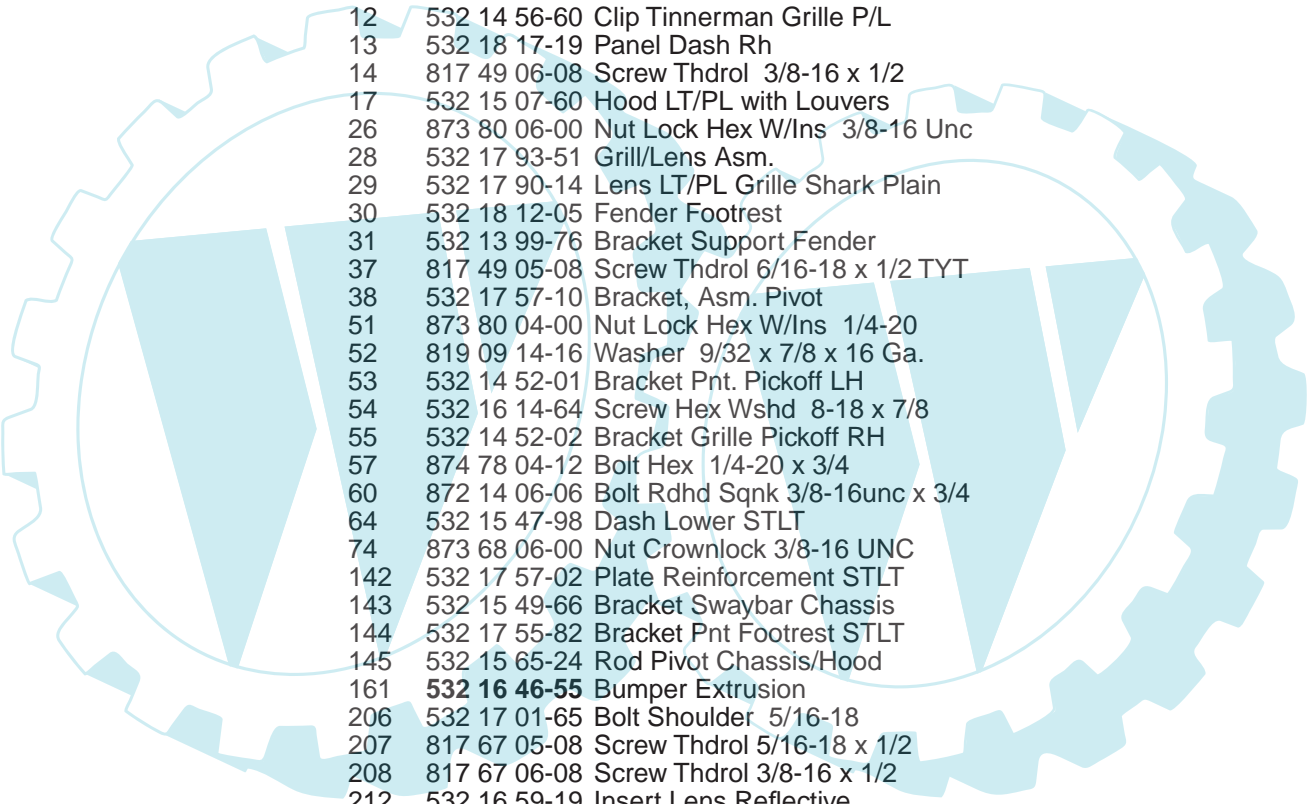
REPAIR PARTS

TRACTOR - MODEL NO. LT12 (JLT12F), PRODUCT NO. 954 13 00-72
CHASSIS AND ENCLOSURES



REPAIR PARTS

TRACTOR - MODEL NO. LT12 (JLT12F), PRODUCT NO. 954 13 00-72
CHASSIS AND ENCLOSURES



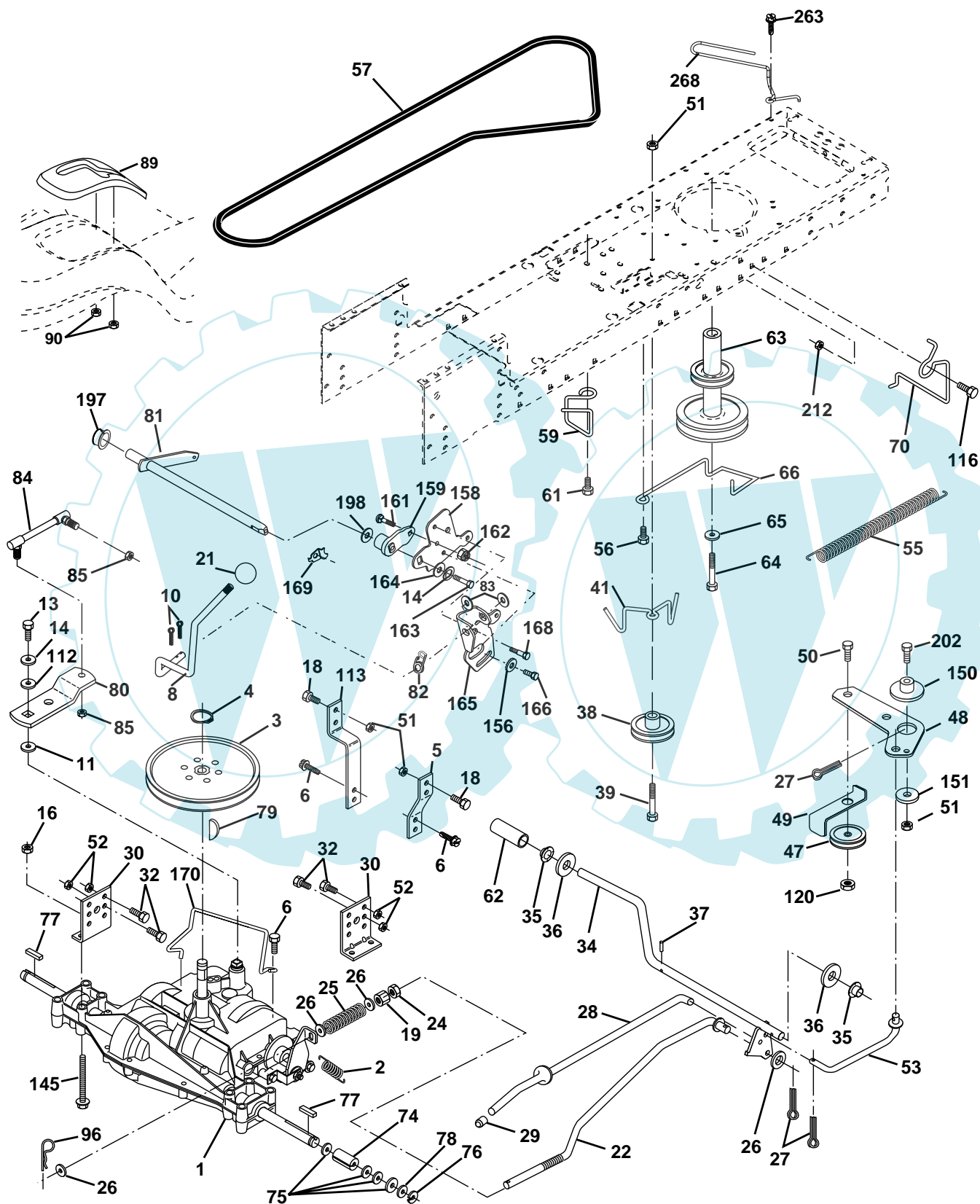
| KEY NO. | PART NO. | DESCRIPTION |
|---------|---------------------|--------------------------------|
| 1 | 532 17 46-19 | Chassis Weldment |
| 2 | 532 17 65-54 | Drawbar |
| 3 | 817 06 06-12 | Screw 3/8-16 x .75 SMGML |
| 5 | 532 15 52-72 | Bumper Hood/Dash |
| 9 | 532 17 21-51 | Dash P/L |
| 10 | 872 14 06-08 | Bolt Carriage 3/8-16 x 1 |
| 11 | 532 17 49-96 | Panel Dash Lh |
| 12 | 532 14 56-60 | Clip Tinnerman Grille P/L |
| 13 | 532 18 17-19 | Panel Dash Rh |
| 14 | 817 49 06-08 | Screw Thdrol 3/8-16 x 1/2 |
| 17 | 532 15 07-60 | Hood LT/PL with Louvers |
| 26 | 873 80 06-00 | Nut Lock Hex W/Ins 3/8-16 Unc |
| 28 | 532 17 93-51 | Grill/Lens Asm. |
| 29 | 532 17 90-14 | Lens LT/PL Grille Shark Plain |
| 30 | 532 18 12-05 | Fender Footrest |
| 31 | 532 13 99-76 | Bracket Support Fender |
| 37 | 817 49 05-08 | Screw Thdrol 6/16-18 x 1/2 TYT |
| 38 | 532 17 57-10 | Bracket, Asm. Pivot |
| 51 | 873 80 04-00 | Nut Lock Hex W/Ins 1/4-20 |
| 52 | 819 09 14-16 | Washer 9/32 x 7/8 x 16 Ga. |
| 53 | 532 14 52-01 | Bracket Pnt. Pickoff LH |
| 54 | 532 16 14-64 | Screw Hex Wshd 8-18 x 7/8 |
| 55 | 532 14 52-02 | Bracket Grille Pickoff RH |
| 57 | 874 78 04-12 | Bolt Hex 1/4-20 x 3/4 |
| 60 | 872 14 06-06 | Bolt Rdhd Sqnk 3/8-16unc x 3/4 |
| 64 | 532 15 47-98 | Dash Lower STLT |
| 74 | 873 68 06-00 | Nut Crownlock 3/8-16 UNC |
| 142 | 532 17 57-02 | Plate Reinforcement STLT |
| 143 | 532 15 49-66 | Bracket Swaybar Chassis |
| 144 | 532 17 55-82 | Bracket Pnt Footrest STLT |
| 145 | 532 15 65-24 | Rod Pivot Chassis/Hood |
| 161 | 532 16 46-55 | Bumper Extrusion |
| 206 | 532 17 01-65 | Bolt Shoulder 5/16-18 |
| 207 | 817 67 05-08 | Screw Thdrol 5/16-18 x 1/2 |
| 208 | 817 67 06-08 | Screw Thdrol 3/8-16 x 1/2 |
| 212 | 532 16 59-19 | Insert Lens Reflective |
| -- | 532 00 54-79 | Plug Button |

NOTE: All component dimensions given in U.S. inches
1 inch = 25.4 mm

REPAIR PARTS

TRACTOR - MODEL NO. LT12 (JLT12F), PRODUCT NO. 954 13 00-72

DRIVE



REPAIR PARTS

TRACTOR - MODEL NO. LT12 (JLT12F), PRODUCT NO. 954 13 00-72

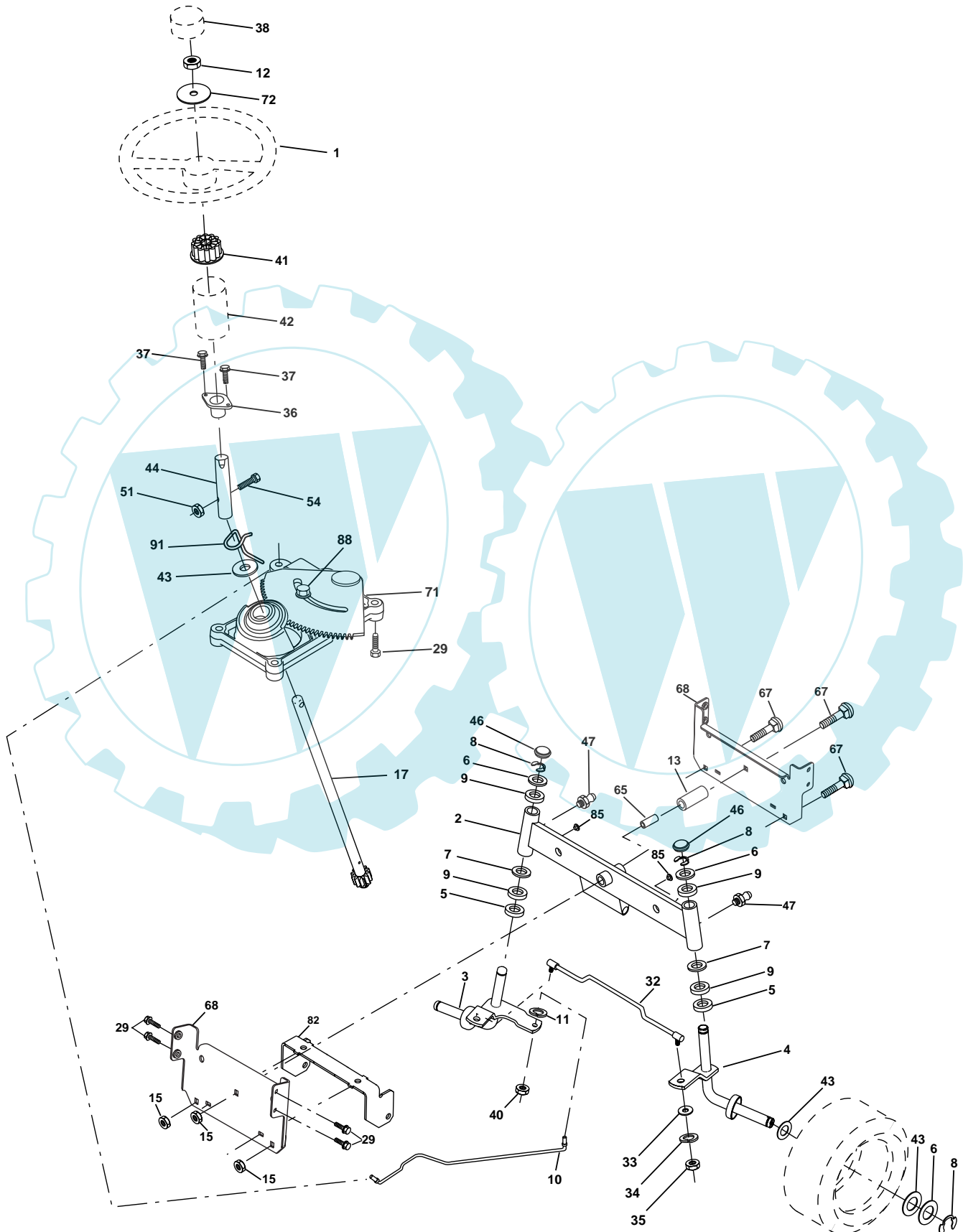
DRIVE

| KEY NO. | PART NO. | DESCRIPTION | KEY NO. | PART NO. | DESCRIPTION |
|---------|---------------------|--|---------|---------------------|------------------------------------|
| 1 | ----- | Transaxle Peerless 205-544C Order parts from transaxle manufacturer | 65 | 810 04 07-00 | Washer Lock Hvy Hlcl Spr 7/16 |
| 2 | 532 14 66-82 | Spring Return Brake T/a Zinc | 66 | 532 15 47-78 | Keeper Belt Engine Foolproof |
| 3 | 532 12 36-66 | Pulley Transaxle 18" tires | 70 | 532 18 02-18 | Guide Belt Mower Drive RH |
| 4 | 812 00 00-28 | Ring Retainer # 5100-62 | 74 | 532 13 70-57 | Spacer Axle |
| 5 | 532 12 15-20 | Strap Torque 30 Degrees | 75 | 532 12 17-49 | Washer 25/32 X 1 1/4 X 16 Ga |
| 6 | 817 06 05-12 | Screw Thdrol 5/16-18 | 76 | 812 00 00-01 | E-ring #5133-75 |
| 8 | 532 16 58-66 | Rod Shift Fender Adjust Lt | 77 | 532 12 35-83 | Key Square 2 0 X 1845/ 1865 |
| 10 | 876 02 04-16 | Pin Cotter 1/8 X 1 Cad | 78 | 532 12 17-48 | Washer 25/32 X 1-5/8 X 16 Ga |
| 11 | 532 10 57-01 | Washer Plate Shf 388 Sq Hole | 79 | 532 12 50-96 | Key Woodruff #9 3/16 x 3/4 |
| 13 | 874 55 04-12 | Bolt 1/4-28 Unf Gr 8 W/Patch | 80 | 532 13 14-86 | Arm Shift |
| 14 | 810 04 04-00 | Washer Lock Hvy Helical | 81 | 532 16 55-94 | Shaft Asm Cross 18"t |
| 16 | 873 80 05-00 | Nut Lock Hex w/Ins 5/16-18 | 82 | 532 16 57-11 | Spring Torsion T/a |
| 18 | 874 78 06-16 | Bolt, Fin Hex 3/8-16 UNC x 1 Gr. 5 | 83 | 819 17 12-16 | Washer 17/32 X 3/4 X 16 Ga |
| 19 | 873 80 06-00 | Nut Lock 3/8-16 Unc | 84 | 532 16 62-28 | Link Transaxle |
| 21 | 532 12 12-74 | Knob | 85 | 532 15 03-60 | Nut Lock Center 1/4 - 28 FNTHD |
| 22 | 532 13 08-04 | Rod Brake Blk Zinc 26 840 | 89 | 532 17 65-79 | Console Shift STLT |
| 24 | 873 35 06-00 | Nut Hex Jam 3/8-16 Unc | 90 | 532 12 43-46 | Nut Self-thd Wsh-hd 1/4 Zinc |
| 25 | 532 10 68-88 | Spring Rod Brake 2 00 Zinc | 96 | 532 12 47-88 | Retainer Spring 1" |
| 26 | 819 13 13-16 | Washer 13/32 X 13/16 X 16 Ga | 112 | 819 09 12-10 | Washer 9/32 x 3/4 x 10 Ga. |
| 27 | 876 02 04-12 | Pin Cotter 1/8 X 3/4 Cad | 113 | 532 12 72-85 | Strap Torque LT |
| 28 | 532 17 57-65 | Rod Brake Parking LT/YT | 116 | 872 14 06-08 | Bolt Rdhd Sq Neck 3/8-16 x 1.0 |
| 29 | 532 07 16-73 | Cap Brake Parking Black | 120 | 873 90 06-00 | Nut Lock Flg. 3/8-16 Unc |
| 30 | 532 17 49-73 | Bracket Mtg Transaxle | 145 | 874 49 05-40 | Bolt Hex 5/16-18 Gr. 5 |
| 32 | 874 76 05-12 | Bolt Hex Hd 5/16-18unc X 3/4 | 150 | 532 17 54-56 | Spacer |
| 34 | 532 17 55-78 | Shaft Asm Pedal Foot | 151 | 819 13 32-10 | Washer 13/32 x 2 x 10 Ga. |
| 35 | 532 12 01-83 | Bearing Nylon Blk 629 Id | 156 | 532 16 60-02 | Washer Srrted 5/16ID x 1.125 |
| 36 | 819 21 16-16 | Washer 21/32 X 1 X 16 Ga | 158 | 532 16 55-89 | Bracket Shift Mount |
| 37 | 532 12 49-63 | Pin Roll 3/16 X 1" | 159 | 532 16 54-94 | Hub Tapered Flange Shift Lt |
| 38 | 532 17 91-14 | Pulley Idler | 161 | 872 14 04-06 | Bolt Rdhd Sqnk 1/4-20 x 3/4 Gr 5 |
| 39 | 874 76 06-48 | Bolt Fin Hex 3/8-16 Unc x 3 | 162 | 873 68 04-00 | Nut Crownlock 1/4-20 Unc |
| 41 | 532 17 55-56 | Keeper Belt Idler Flat | 163 | 874 78 04-16 | Bolt Hex Fin 1/4-20 Unc x 1 Gr 5 |
| 47 | 532 12 77-83 | Pulley Idler V Groove Plastic | 164 | 819 09 10-10 | Washer 5/8 x .281 x 10 Ga |
| 48 | 532 15 44-07 | Bellcrank Clutch Grnd Driv | 165 | 532 16 56-23 | Bracket Pivot Lever |
| 49 | 532 12 32-05 | Retainer Belt Style Spring | 166 | 532 16 68-80 | Screw 5/16-18 x 5/8 |
| 50 | 872 11 06-12 | Bolt Carriage 3/8-16 x 1-1/2 Gr. 5 | 168 | 532 16 54-92 | Bolt Shoulder 5/16-18 x .561 |
| 51 | 873 68 06-00 | Nut Crownlock 3/8-16 Unc | 169 | 532 16 55-80 | Plate Fastening Lt |
| 52 | 873 68 05-00 | Nut Crownlock 5/16-18 Unc | 170 | 532 17 83-94 | Keeper, Belt T/A D/P |
| 53 | 532 10 57-10 | Link Clutch | 197 | 532 16 96-13 | Nyliner Snap-In |
| 55 | 532 10 57-09 | Spring Return Clutch 6 75 | 198 | 532 16 95-93 | Washer Nyl 7/8 ID x 105" |
| 56 | 817 06 06-14 | Screw 3/8-16 X .875 | 202 | 872 11 06-14 | Bolt Carr. SH 3/8-16 x 1-3/4 Gr. 5 |
| 57 | 532 13 08-01 | V-Belt Ground Drive 95 25 | 212 | 532 14 52-12 | Nut, Hex Flange Lock |
| 59 | 532 16 96-91 | Keeper Belt Span Ctr | 263 | 817 00 06-12 | Screw Hexwsh Thdrl 3/8-16 x 3/4 |
| 61 | 817 12 06-14 | Screw 3/8-16 x .875 | 268 | 532 18 24-03 | Guard Muffler LH |
| 62 | 532 12 48-72 | Cover Pedal Round | | | |
| 63 | 532 18 02-19 | Engine Pulley | | | |
| 64 | 871 17 07-64 | Bolt Hex | | | |

NOTE: All component dimensions given in U.S. inches
1 inch = 25.4 mm

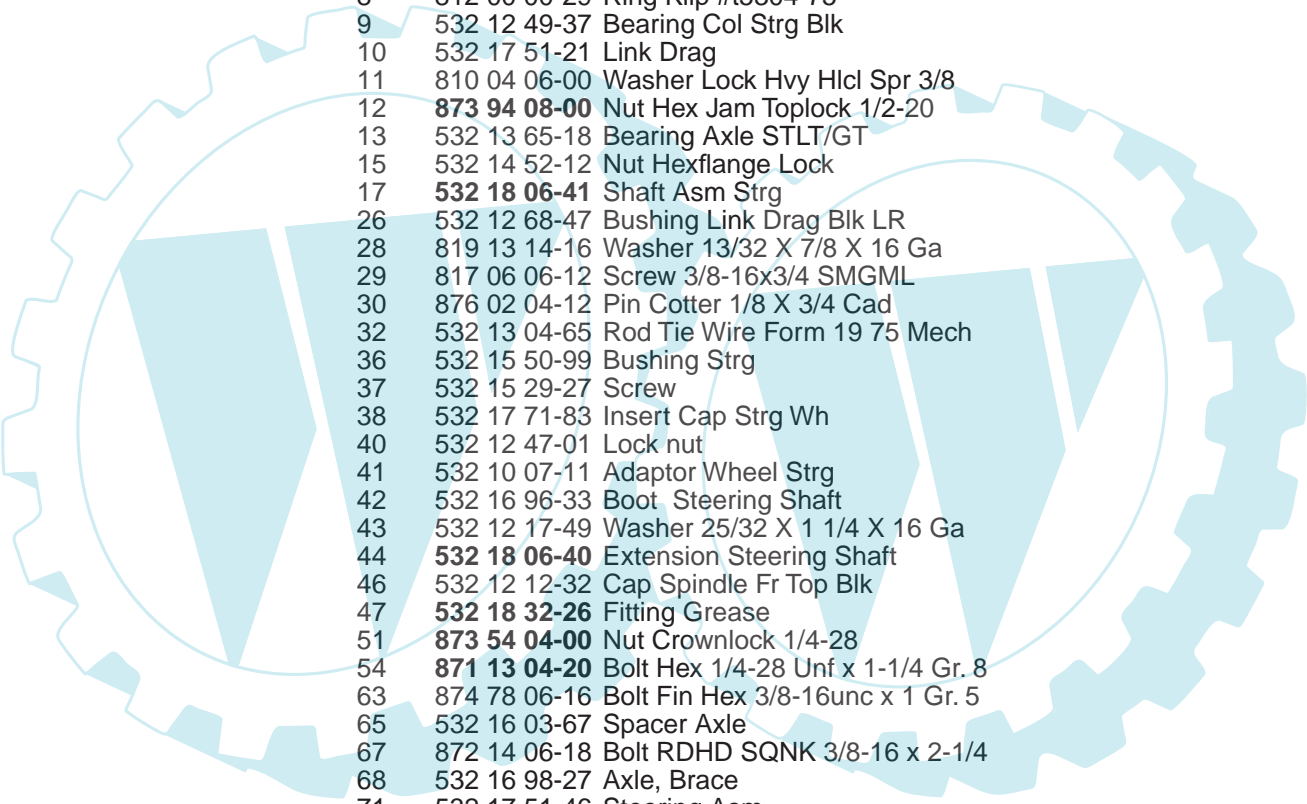
REPAIR PARTS

TRACTOR - MODEL NO. LT12 (JLT12F), PRODUCT NO. 954 13 00-72
STEERING ASSEMBLY



REPAIR PARTS

TRACTOR - MODEL NO. LT12 (JLT12F), PRODUCT NO. 954 13 00-72
STEERING ASSEMBLY

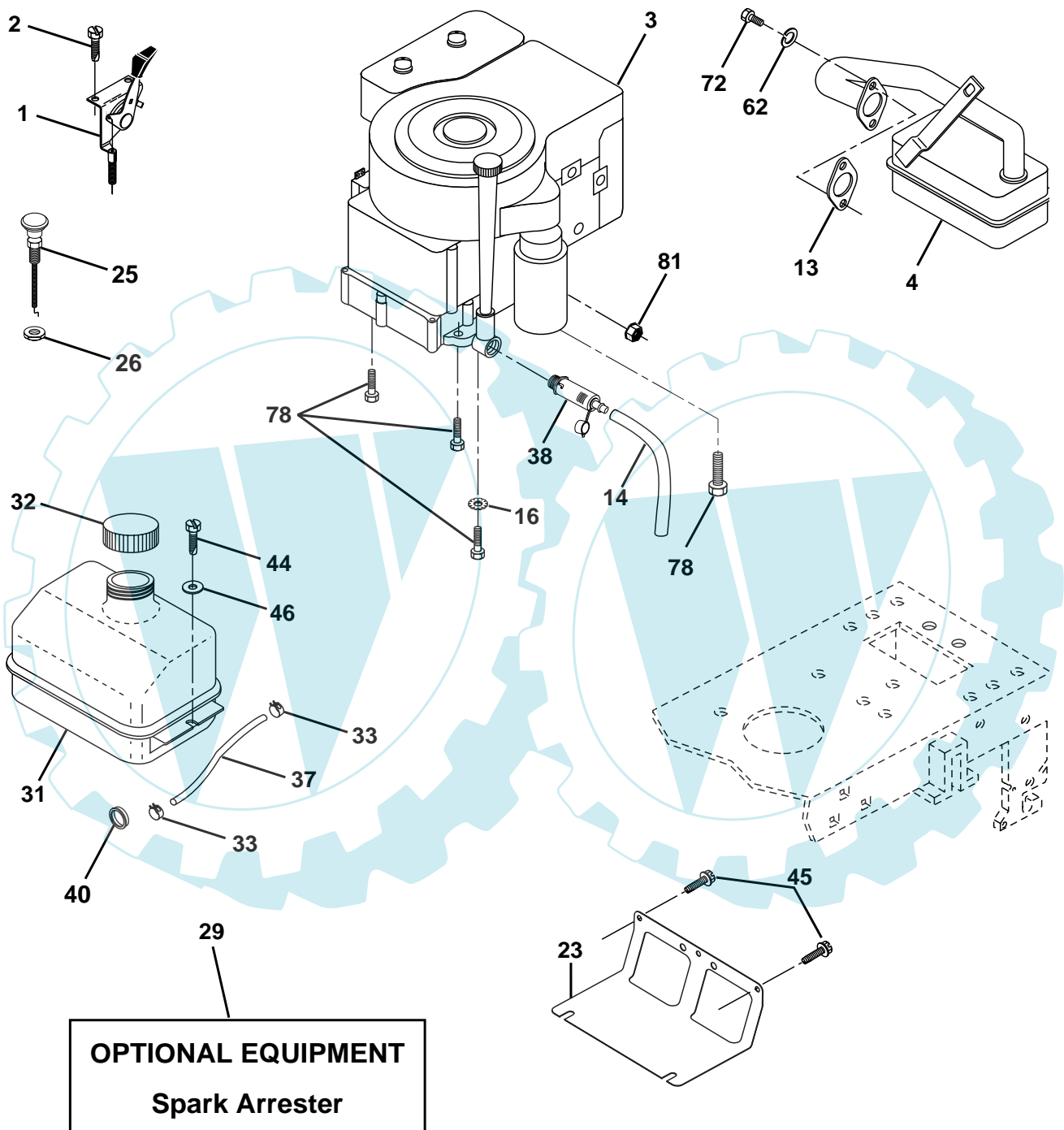


| KEY NO. | PART NO. | DESCRIPTION |
|---------|---------------------|-----------------------------------|
| 1 | 532 17 71-82 | Wheel Steering |
| 2 | 532 17 51-31 | Axle Asm |
| 3 | 532 16 98-40 | Spindle Asm LH |
| 4 | 532 16 98-39 | Spindle Asm RH |
| 5 | 532 12 49-31 | Bearing Race Thrust Harden |
| 6 | 532 12 17-48 | Washer 25/32 X 1-5/8 X 16 Ga |
| 7 | 819 27 20-16 | Washer 27/32 X 1-1/4 X 16 Ga |
| 8 | 812 00 00-29 | Ring Klip #t5304-75 |
| 9 | 532 12 49-37 | Bearing Col Strg Blk |
| 10 | 532 17 51-21 | Link Drag |
| 11 | 810 04 06-00 | Washer Lock Hvy Hlcl Spr 3/8 |
| 12 | 873 94 08-00 | Nut Hex Jam Toplock 1/2-20 |
| 13 | 532 13 65-18 | Bearing Axle STLT/GT |
| 15 | 532 14 52-12 | Nut Hexflange Lock |
| 17 | 532 18 06-41 | Shaft Asm Strg |
| 26 | 532 12 68-47 | Bushing Link Drag Blk LR |
| 28 | 819 13 14-16 | Washer 13/32 X 7/8 X 16 Ga |
| 29 | 817 06 06-12 | Screw 3/8-16x3/4 SMGML |
| 30 | 876 02 04-12 | Pin Cotter 1/8 X 3/4 Cad |
| 32 | 532 13 04-65 | Rod Tie Wire Form 19 75 Mech |
| 36 | 532 15 50-99 | Bushing Strg |
| 37 | 532 15 29-27 | Screw |
| 38 | 532 17 71-83 | Insert Cap Strg Wh |
| 40 | 532 12 47-01 | Lock nut |
| 41 | 532 10 07-11 | Adaptor Wheel Strg |
| 42 | 532 16 96-33 | Boot Steering Shaft |
| 43 | 532 12 17-49 | Washer 25/32 X 1 1/4 X 16 Ga |
| 44 | 532 18 06-40 | Extension Steering Shaft |
| 46 | 532 12 12-32 | Cap Spindle Fr Top Blk |
| 47 | 532 18 32-26 | Fitting Grease |
| 51 | 873 54 04-00 | Nut Crownlock 1/4-28 |
| 54 | 871 13 04-20 | Bolt Hex 1/4-28 Unf x 1-1/4 Gr. 8 |
| 63 | 874 78 06-16 | Bolt Fin Hex 3/8-16unc x 1 Gr. 5 |
| 65 | 532 16 03-67 | Spacer Axle |
| 67 | 872 14 06-18 | Bolt RDHD SQNK 3/8-16 x 2-1/4 |
| 68 | 532 16 98-27 | Axle, Brace |
| 71 | 532 17 51-46 | Steering Asm. |
| 72 | 819 18 38-12 | Washer 9/16 x 2-3/8 12 G. |
| 82 | 532 16 98-35 | Bracket Susp Chassis Front |
| 85 | 532 13 38-35 | Fastner Christmas Tree |
| 88 | 532 17 51-18 | Bolt Shoulder 7/16-20 Unc |
| 91 | 532 17 55-53 | Clip Steering |

NOTE: All component dimensions given in U.S. inches.
1 inch = 25.4 mm.

REPAIR PARTS

TRACTOR - MODEL NO. LT12 (JLT12F), PRODUCT NO. 954 13 00-72
ENGINE



OPTIONAL EQUIPMENT
Spark Arrester

REPAIR PARTS

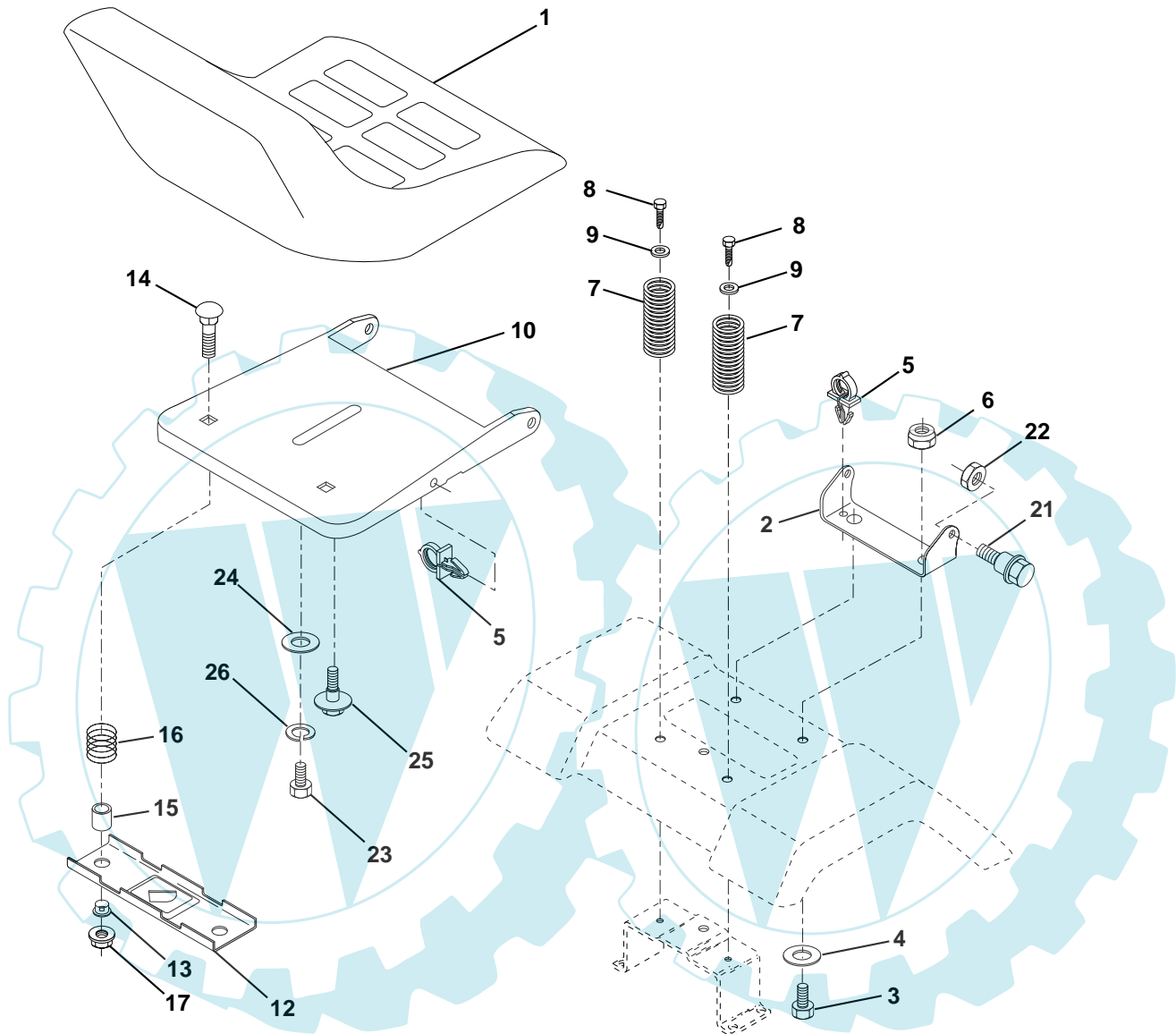
TRACTOR - MODEL NO. LT12 (JLT12F), PRODUCT NO. 954 13 00-72
ENGINE

| KEY NO. | PART NO. | DESCRIPTION |
|---------|---------------------|---|
| 1 | 532 17 05-51 | Control Th/ch LH Flag |
| 2 | 817 72 04-08 | Screw Hex Thd Cut 1/4-20 x 1/2 |
| 3 | ----- | Engine B&S Model No. 289707 (Order parts from engine manufacturer) |
| 4 | 532 13 73-48 | Muffler |
| 13 | 532 16 52-91 | Gasket |
| 14 | 532 14 84-56 | Tube Drain Oil Easy |
| 16 | 811 05 06-00 | Washer Lock Ext Tooth 3/8 |
| 23 | 532 16 98-37 | Shield Brn/Dbr Guard |
| 25 | 532 18 09-45 | Control Choke 1 Cyl |
| 26 | 873 92 06-00 | Nut Keps 3/8-24 Unf |
| 29 | 532 13 71-80 | Kit Spark Arrestor (Flat Scrn) |
| 31 | 532 10 92-02 | Tank Fuel Front |
| 32 | 532 14 05-27 | Cap Asm Fuel W/sym Vented |
| 33 | 532 12 34-87 | Clamp Hose Black |
| 37 | 532 13 70-40 | Line Fuel 20" |
| 38 | 532 18 16-54 | Plug Drain Oil Easy |
| 40 | 532 12 40-28 | Bushing Snap Nyl Blk Fuel Line |
| 44 | 817 67 04-12 | Screw Hexwsh Thdrol 1/4-20x3/4 |
| 45 | 817 00 06-12 | Screw 3/8-16 x 3/4 |
| 46 | 819 09 14-16 | Washer 9/32 X 7/8 X 16 Ga |
| 62 | 810 04 05-00 | Washer Lock Hvy Hlcl Spr 5/16 |
| 72 | 871 07 05-12 | Screw Hexhd Cap 5/16-18 x 3/4 |
| 78 | 817 06 06-20 | Screw 3/8-16 x 1-1/4 SMGML |
| 81 | 873 51 04-00 | Nut Keps Hex 1/4-20 |

NOTE: All component dimensions given in U.S. inches
1 inch = 25.4 mm

REPAIR PARTS

TRACTOR - MODEL NO. LT12 (JLT12F), PRODUCT NO. 954 13 00-72
SEAT ASSEMBLY



| KEY NO. | PART NO. | DESCRIPTION |
|---------|--------------|--------------------------------|
| 1 | 532 14 01-16 | Seat |
| 2 | 532 14 05-51 | Bracket Pivot Seat 8 720 |
| 3 | 871 11 06-16 | Bolt Fin Hex 3/8-16 Unc x 1 |
| 4 | 819 13 16-10 | Washer 13/32 X 1 X 10 Ga |
| 5 | 532 14 50-06 | Clip Push-In |
| 6 | 873 80 06-00 | Nut Hex w/Ins. 3/8-16 Unc |
| 7 | 532 12 41-81 | Spring Seat Cprsn 2 250 Blk Zi |
| 8 | 817 00 06-16 | Screw 3/8-16 x 1.5 SMGML |
| 9 | 819 13 16-14 | Washer 13/32 X 1 X 14 Ga. |
| 10 | 532 18 24-93 | Pan Seat |
| 12 | 532 12 12-46 | Bracket Mounting Switch |
| 13 | 532 12 12-48 | Bushing Snap Blk Nyl 50 Id |

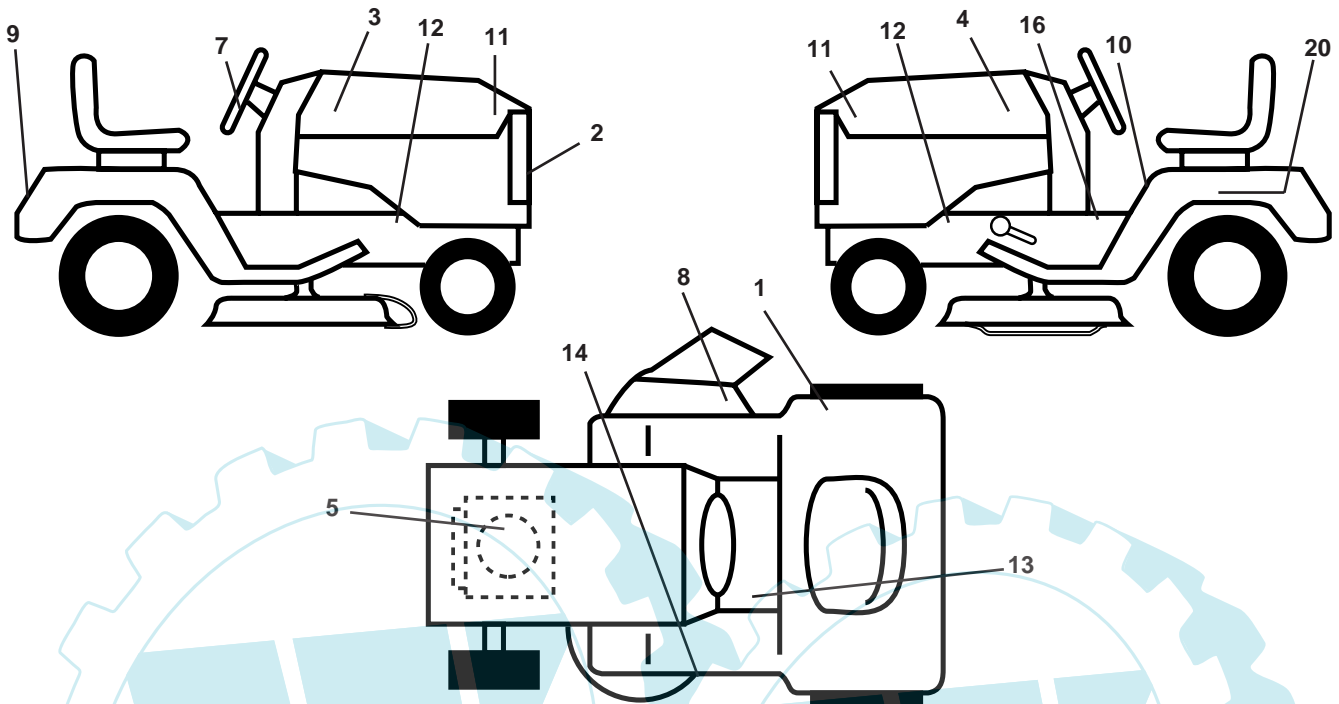
| KEY NO. | PART NO. | DESCRIPTION |
|---------|--------------|--------------------------------|
| 14 | 872 05 04-12 | Bolt Rdhd Sqnk 1/4-20x1-1/2 |
| 15 | 532 13 43-00 | Spacer Split 28x96 Yel Zinc |
| 16 | 532 12 12-50 | Spring Cprsn 1.27 Blk Pnt |
| 17 | 532 12 39-76 | Nut Lock 1/4 Lge Flg Gr 5 Zinc |
| 21 | 532 17 18-52 | Bolt SHLD 5/16-18 Unc-2A |
| 22 | 873 80 05-00 | Nut Hex Lock W/Ins 5/16-18 |
| 23 | 871 11 08-14 | Bolt Hex |
| 24 | 819 17 19-12 | Washer 17/32 X 1-3/16 X 12 Ga. |
| 25 | 532 12 70-18 | Bolt Shoulder 5/16-18 X 62 |
| 26 | 810 04 08-00 | Washer Lock Hvy HLCL Spr. 1/2 |

NOTE: All component dimensions given in U.S. inches.
1 inch = 25.4 mm

REPAIR PARTS

TRACTOR - MODEL NO. LT12 (JLT12F), PRODUCT NO. 954 13 00-72

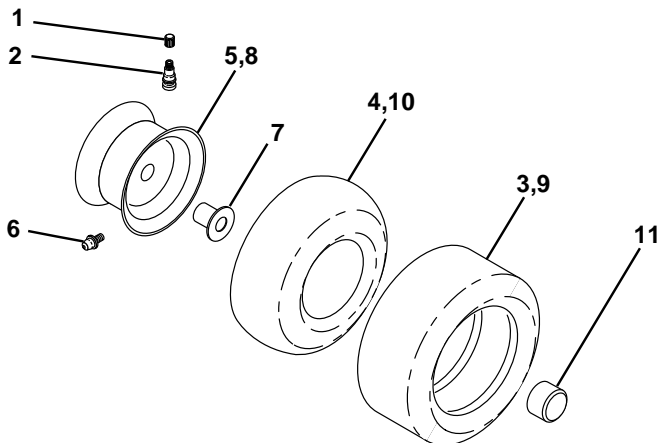
DECALS



| KEY NO. | PART NO. | DESCRIPTION |
|---------|--------------|---------------------------------|
| 1 | 532 18 04-32 | Decal 100 DBA/CE |
| 2 | 532 15 22-62 | Decal Grille |
| 3 | 532 17 58-85 | Decal Hood RH |
| 4 | 532 17 58-86 | Decal Hood LH |
| 5 | 532 17 08-32 | Decal HP Engine |
| 7 | 532 17 58-84 | Decal, Ins. Strg Whl. |
| 8 | 532 18 21-66 | Decal Mower Cutfinger |
| 9 | 532 14 17-61 | Decal Fender Jonsered |
| 10 | 532 14 54-98 | Decal Read Owner's Manual Syms. |
| 11 | 532 16 29-27 | Decal Hood Insert B&S White |
| 12 | 532 15 97-36 | Decal Chassis Hot Muffler |

| KEY NO. | PART NO. | DESCRIPTION |
|---------|---------------------|---------------------------------|
| 13 | 532 15 97-37 | Decal Brake/Clutch Symbol LT |
| 14 | 532 13 68-32 | Decal V-Belt Schematic |
| 16 | 532 14 08-37 | Decal Saddle Brake Parking |
| 20 | 532 14 50-05 | Decal Bat Dan/Psn |
| -- | 532 16 25-98 | Decal Drawbar Load Limit |
| -- | 532 17 12-84 | Pad Footrest LH STLT |
| -- | 532 17 12-85 | Pad Footrest RH STLT |
| -- | 532 13 83-11 | Decal Handle Lift Height Adjust |
| -- | 532 18 30-00 | Manual Operator's (Euro.) |
| -- | 532 18 30-01 | Manual Operator's (Scan.) |

WHEELS & TIRES

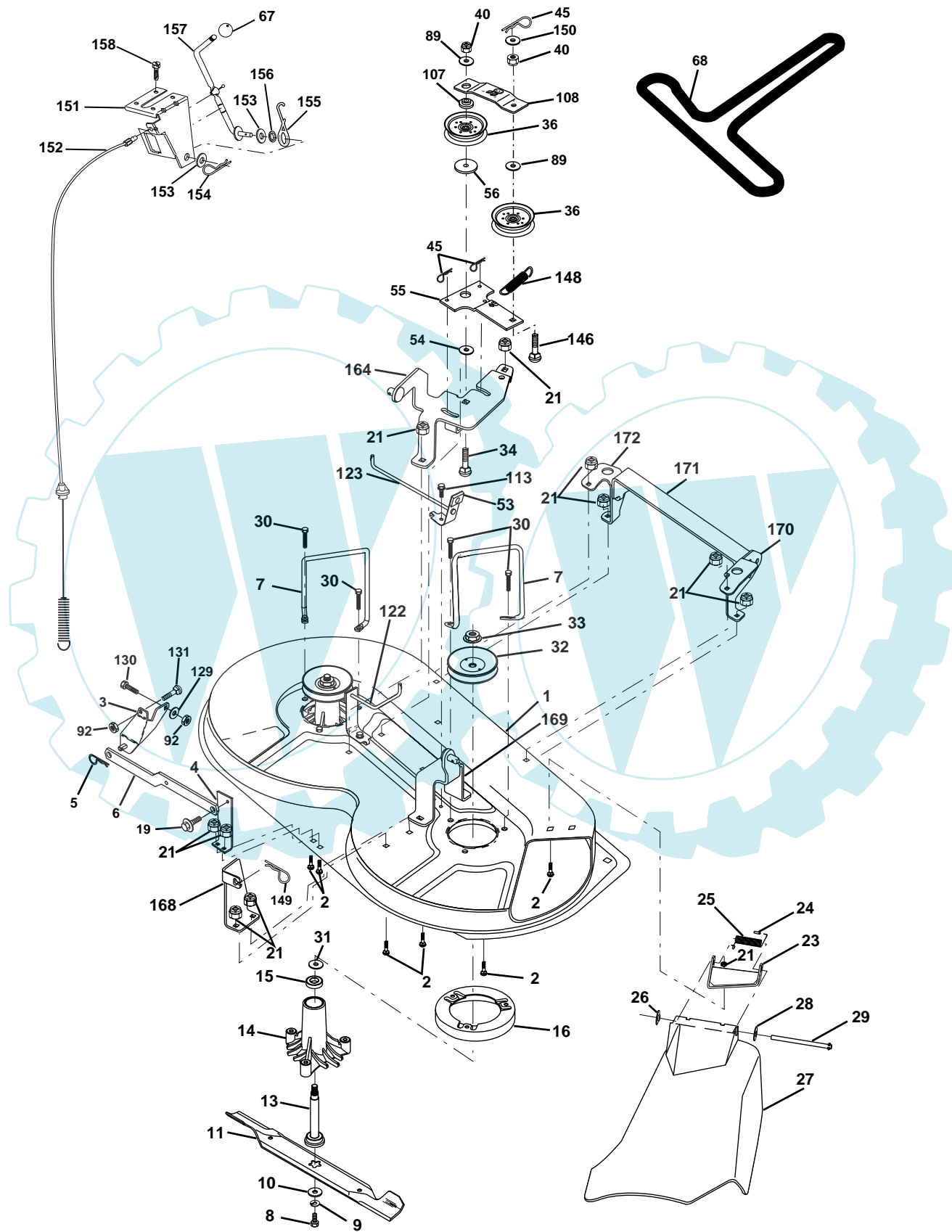


| KEY NO. | PART NO. | DESCRIPTION |
|---------|--------------|-----------------------------------|
| 1 | 532 05 91-92 | Cap Valve Tire |
| 2 | 532 06 51-39 | Stem Valve |
| 3 | 532 10 62-22 | Tire F Ts 15 X 6 0 - 6 Service |
| 4 | 532 05 99-04 | Tube Front (Service Item Only) |
| 5 | 532 13 83-36 | Rim Asm 6"front Silver Service |
| 6 | 532 12 49-57 | Fitting Grease (Front Wheel Only) |
| 7 | 532 12 49-59 | Bearing Flange (Front Wheel Only) |
| 8 | 532 13 83-37 | Rim Asm 8"rear Silver Service |
| 9 | 532 12 46-35 | Tire R Ts 18x9 5-8 C Service |
| 10 | 532 12 49-26 | Tube Rear (Service Item Only) |
| 11 | 532 17 50-39 | Cap Axle Blk 1 50 X 1 00 |
| -- | 532 14 43-34 | Sealant, Tire (10 oz. Tube) |

NOTE: All component dimensions given in U.S. inches
1 inch = 25.4 mm

REPAIR PARTS

TRACTOR - MODEL NO. LT12 (JLT12F), PRODUCT NO. 954 13 00-72
MOWER DECK



REPAIR PARTS

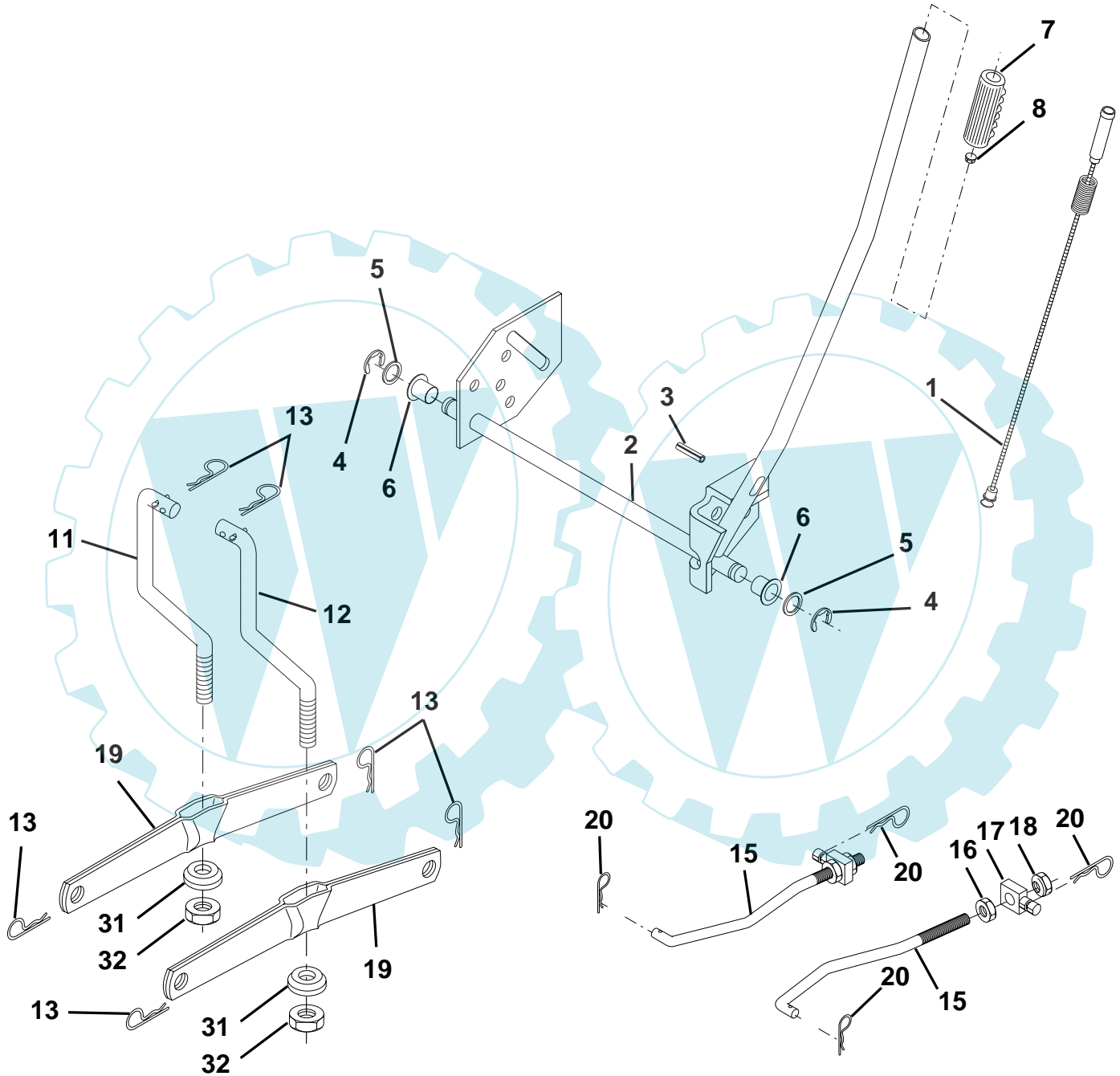
TRACTOR - MODEL NO. LT12 (JLT12F), PRODUCT NO. 954 13 00-72
MOWER DECK

| KEY NO. | PART NO. | DESCRIPTION | KEY NO. | PART NO. | DESCRIPTION |
|---------|---------------------|-------------------------------|---------|--------------|--|
| 1 | 532 17 45-95 | Mower Deck Assembly | 68 | 532 18 02-13 | Belt |
| 2 | 872 14 05-06 | Bolt | 89 | 819 13 16-12 | Washer 13/32 x 1 x 12 Ga |
| 3 | 532 13 80-17 | Bracket Assembly,Sway Bar | 92 | 873 80 06-00 | Nut Lock Hex w/Ins. 3/8-16 Unc |
| 4 | 532 17 56-54 | Bracket Sway Bar | 107 | 532 13 35-02 | Spacer, Retainer |
| 5 | 532 12 46-70 | Retainer Spring | 108 | 532 13 35-03 | Stiffener, Idler Arm |
| 6 | 532 17 80-24 | Bar, Sway Deck | 113 | 817 49 05-08 | Screw Thdrol 5/16-18 x 1/2 |
| 7 | 532 14 06-08 | Keeper Belt | 122 | 532 17 45-05 | Rod, Brake, LH |
| 8 | 532 85 08-57 | Bolt, Hex 3/8-24 x 1.25 Gr. 8 | 123 | 532 17 45-04 | Rod, Brake, RH |
| 9 | 810 03 06-00 | Washer, Lock Hvy Hlcl 3/8 | 129 | 819 13 13-12 | Washer 13/32 x 13/16 x 12 Ga. |
| 10 | 532 14 02-96 | Washer, Hardened | 130 | 874 78 06-16 | Bolt Fin Hex 3/8-16 Unc x 1 Gr. 5 |
| 11 | 532 13 84-96 | Blade, Mower | 131 | 872 14 06-08 | Bolt RdHd Sqnk 3/8-16 Unc x 1 |
| 13 | 532 13 76-45 | Shaft Assembly, Mandrel | 146 | 532 16 58-91 | Bolt Carriage Idler |
| 14 | 532 12 87-74 | Housing, Mandrel, Vented | 148 | 532 16 90-22 | Spring Return Idler |
| 15 | 532 11 04-85 | Bearing, Ball, Mandrel | 149 | 532 16 58-98 | Retainer Spring Yellow Zinc |
| 16 | 532 17 44-93 | Stripper, Mower Deck | 150 | 819 09 12-16 | Washer 9/32 x 3/4 x 16 Ga. |
| 19 | 532 13 28-27 | Bolt, Shoulder | 151 | 532 16 96-70 | Bracket Clutch |
| 21 | 873 68 05-00 | Nut Crownlock 5/16-18 | 152 | 532 17 60-79 | Cable Clutch |
| 23 | 532 13 66-31 | Bracket, Mower Deflector | 153 | 532 16 96-74 | Washer Flat 3/8" Type B |
| 24 | 532 10 53-04 | Cap, Sleeve | 154 | 532 16 96-75 | Spring Retainer |
| 25 | 532 12 37-13 | Spring, Torsion, Deflector | 155 | 532 16 96-71 | Spring Retention Lever |
| 26 | 532 11 04-52 | Nut, Push | 156 | 532 16 96-72 | Spacer |
| 27 | 532 17 61-62 | Shield, Deflector | 157 | 532 16 96-69 | Rod Clutch |
| 28 | 819 11 10-16 | Washer 11/32 x 5/8 x 16 Ga. | 158 | 817 72 04-08 | Screw Hex Thd Cut 1/4-20 x 1/2 |
| 29 | 532 12 19-80 | Rod, Hinge | 164 | 532 17 49-76 | Bracket Asm Idler Support |
| 30 | 532 17 39-84 | Screw Thdrol | 168 | 532 17 23-77 | Bracket Deck Cable |
| 31 | 532 12 99-63 | Washer, Spacer | 169 | 532 17 49-77 | Bracket Asm Suspension |
| 32 | 532 15 35-31 | Pulley, Mandrel | 170 | 532 17 23-59 | Bracket Suspension RF |
| 33 | 532 17 83-42 | Nut, Toplock, Flanged | 171 | 532 16 52-37 | Brace Support Susp. Frt |
| 34 | 872 11 06-14 | Bolt Rdhd 3/8-16 x 1-3/4 | 172 | 532 17 23-55 | Bracket Suspension LF |
| 36 | 532 13 14-94 | Pulley, Idler, Flat | -- | 532 13 07-94 | Mandrel Assembly (Includes Housing, Shaft and Shaft Hardware Only - Pulley Not Included) |
| 40 | 873 68 06-00 | Nut Crownlock 3/8-16 | -- | 532 18 13-76 | Replacement Mower, Complete |
| 45 | 532 12 47-88 | Retainer, Spring | | | |
| 53 | 532 13 08-40 | Brake Assembly | | | |
| 54 | 532 17 85-15 | Washer, Hardened | | | |
| 55 | 532 13 38-40 | Idler Arm Assembly | | | |
| 56 | 532 16 57-23 | Spacer, Retainer | | | |
| 67 | 532 10 69-32 | Knob RD 3/8-16 Plstc Thd | | | |

NOTE: All component dimensions given in U.S. inches
1 inch = 25.4 mm

REPAIR PARTS

TRACTOR - MODEL NO. LT12 (JLT12F), PRODUCT NO. 954 13 00-72
MOWER LIFT



REPAIR PARTS

TRACTOR - MODEL NO. LT12 (JLT12F), PRODUCT NO. 954 13 00-72
MOWER LIFT

| KEY NO. | PART NO. | DESCRIPTION |
|---------|--------------|-----------------------------------|
| 1 | 532 15 94-60 | Washer Asm Inner Spring W/Plunger |
| 2 | 532 15 94-71 | Shaft Asm. Lift |
| 3 | 532 10 57-67 | Pin Groove |
| 4 | 812 00 00-02 | E Ring #5133-62 |
| 5 | 819 21 16-21 | Washer 21/32 x 1 x 21 Ga |
| 6 | 532 12 01-83 | Bearing Nylon |
| 7 | 532 10 94-13 | Grip Handle |
| 8 | 532 12 23-65 | Button Plunger |
| 11 | 532 13 98-65 | Link Lift LH |
| 12 | 532 13 98-66 | Link Lift RH |
| 13 | 532 12 46-70 | Retainer Spring |
| 15 | 532 17 32-88 | Link Front |
| 16 | 873 35 08-00 | Nut Jam Hex 1/2-13 Unc |
| 17 | 532 17 56-89 | Trunnion |
| 18 | 873 80 08-00 | Nut Lock W/Wsh 1/2-13 Unc |
| 19 | 532 13 98-68 | Arm Suspension Mower |
| 20 | 532 16 35-52 | Retainer Spring |
| 31 | 532 16 98-65 | Bearing Pvt. Lift |
| 32 | 873 54 06-00 | Nut Crownlock 3/8-24 |

NOTE: All component dimensions given in U.S. inches
1 inch = 25.4 mm